



**Cambridge International Examinations**  
Cambridge International General Certificate of Secondary Education

CANDIDATE  
NAME

--

CENTRE  
NUMBER

--	--	--	--	--

CANDIDATE  
NUMBER

--	--	--	--

\* 7 9 9 4 3 1 5 3 0 1 \*



**CHEMISTRY**

**0620/22**

Paper 2

**October/November 2015**

**1 hour 15 minutes**

Candidates answer on the Question Paper.

No Additional Materials are required.

**READ THESE INSTRUCTIONS FIRST**

Write your Centre number, candidate number and name in the spaces at the top of this page.

Write in dark blue or black pen.

You may use an HB pencil for any diagrams or graphs.

Do not use staples, paper clips, glue or correction fluid.

DO **NOT** WRITE IN ANY BARCODES.

Answer **all** questions.

Electronic calculators may be used.

A copy of the Periodic Table is printed on page 16.

You may lose marks if you do not show your working or if you do not use appropriate units.

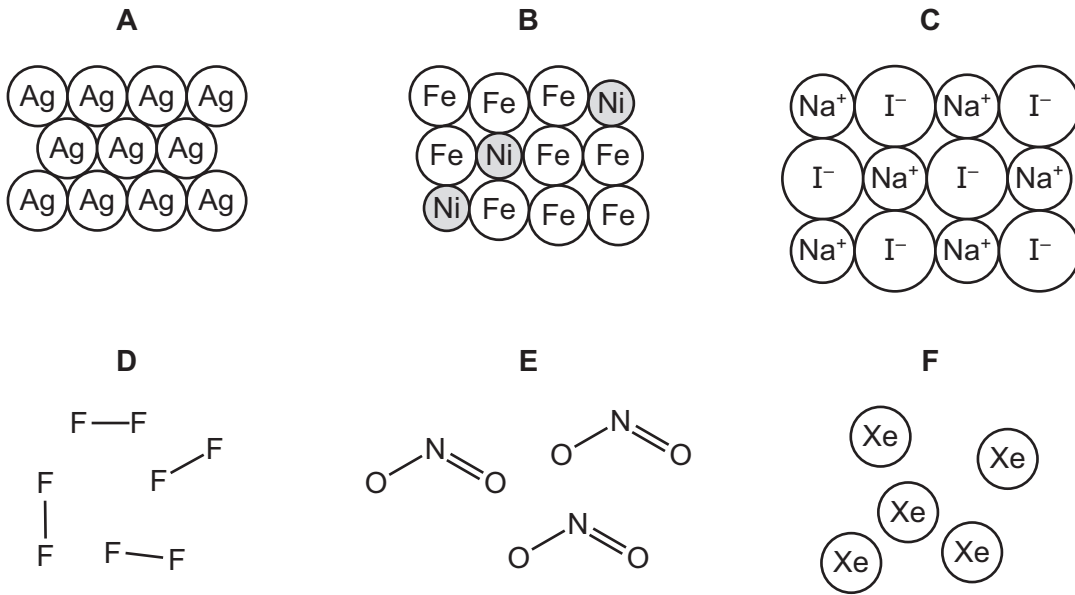
At the end of the examination, fasten all your work securely together.

The number of marks is given in brackets [ ] at the end of each question or part question.

The syllabus is approved for use in England, Wales and Northern Ireland as a Cambridge International Level 1/Level 2 Certificate.

This document consists of **14** printed pages and **2** blank pages.

1 The structures of six substances are shown below.



Answer the following questions about these substances.  
Each substance may be used once, more than once or not at all.

(a) Which substance, **A**, **B**, **C**, **D**, **E** or **F**,

- (i) is a simple molecular compound, ..... [1]
- (ii) is an alloy, ..... [1]
- (iii) is a compound, whose aqueous solution gives a yellow precipitate on addition of aqueous silver nitrate, ..... [1]
- (iv) is an atmospheric pollutant arising from reactions taking place in car engines, ..... [1]
- (v) is a diatomic molecule, ..... [1]
- (vi) conducts electricity when molten but not when solid? ..... [1]

(b) Substance **A** is an element.

What is meant by the term *element*?

.....  
..... [1]

(c) Substance **D** oxidises water to oxygen.

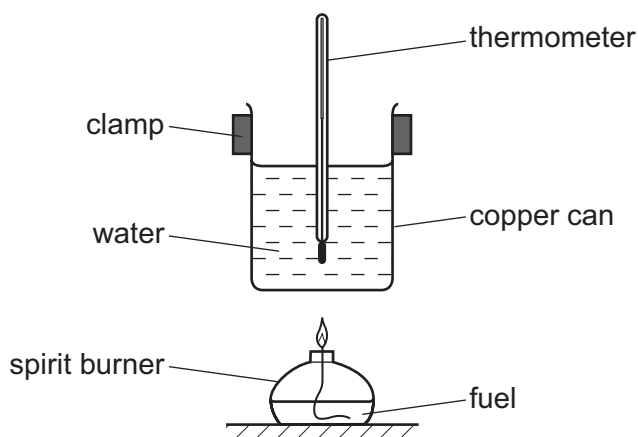
Complete the symbol equation for this reaction.



[2]

[Total: 9]

- 2 A student measured the highest temperature reached when four different fuels were burned. He used the apparatus shown below.



- (a) The same amount of each fuel was burned.

Suggest **two** other things which the student should keep constant to make the experiment a fair test.

1. ....

2. ....

[2]

- (b) Is burning an exothermic or an endothermic reaction?  
Give a reason for your answer.

..... [1]

- (c) The table below shows the results.

fuel	molecular formula	initial temperature / °C	final temperature / °C
ethanol	C <sub>2</sub> H <sub>6</sub> O	23	44
hexane	C <sub>6</sub> H <sub>14</sub>	17	46
pentane	C <sub>5</sub> H <sub>12</sub>	22	48
propanol	C <sub>3</sub> H <sub>8</sub> O	21	45

- (i) Which fuel gave the highest temperature change?

..... [1]

- (ii) Which fuel has the highest relative molecular mass?  
You are not expected to do any calculations.

..... [1]

(d) Methane is a fuel.

(i) Draw the structure of methane showing all atoms and all bonds.

[1]

(ii) Which **one** of the following fuels is largely methane?  
Tick **one** box.

coal

fuel oil

gasoline

natural gas

[1]

(e) Pentane and hexane belong to the same homologous series.

(i) How can you tell this from their names?

..... [1]

(ii) Complete the following sentence about a homologous series using words from the list below.

acidic

alcohol

compounds

density

different

elements

functional

masses

properties

solid

A homologous series is a family of similar ..... with similar .....  
due to the presence of the same ..... group.

[3]

[Total: 11]

- 3 The order of reactivity of zinc, magnesium, calcium and barium is shown below.

zinc → magnesium → calcium → barium

least reactive  $\longrightarrow$  most reactive

- (a) Equal-sized pieces of zinc, magnesium, calcium and barium are placed in water. Some observations from these reactions are shown in the table.

- (i) Complete the box for barium.

metal	observations
zinc	no reaction with cold water
magnesium	gives a few bubbles with hot water, does not disappear
calcium	gives off bubbles steadily with cold water, gets smaller slowly
barium	

[2]

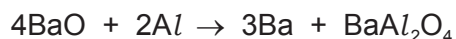
- (ii) Give the name of a metal in the above table which is extracted by heating with carbon.

..... [1]

- (iii) Suggest why barium cannot be extracted using carbon.

..... [1]

- (b) Barium can be extracted by heating barium oxide with aluminium.



How does this equation show that barium oxide gets reduced?

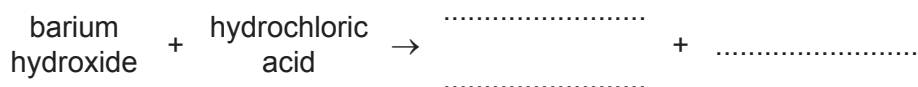
..... [1]

- (c) A solution of barium hydroxide is alkaline.

- (i) Describe how you would show that barium hydroxide solution is alkaline.

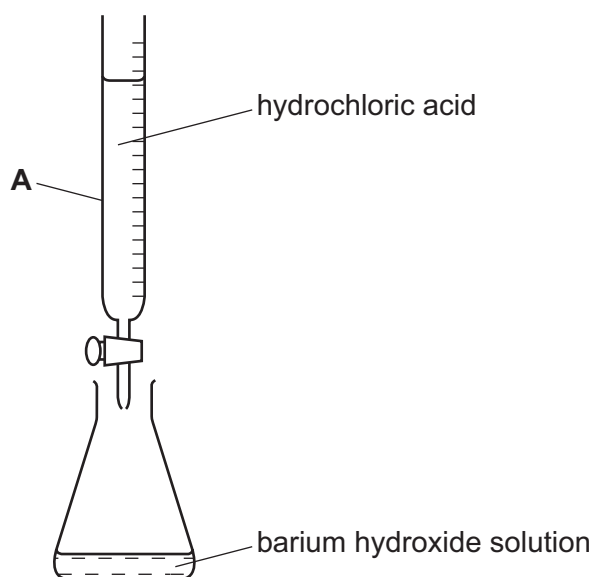
..... [1]

- (ii) Complete the word equation for the reaction of barium hydroxide with hydrochloric acid.



[2]

- (d) A student used the apparatus shown below to calculate the concentration of barium hydroxide solution.



- (i) Give the name of the piece of apparatus labelled **A**.

..... [1]

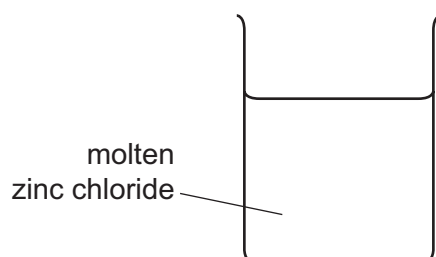
- (ii) The hydrochloric acid is added to the barium hydroxide solution in the flask until the acid is in excess.

Describe how the pH of the solution changes as the acid is added.

.....

..... [2]

- (e) Complete the diagram below for the electrolysis of molten zinc chloride. Label the electrodes and the power source.



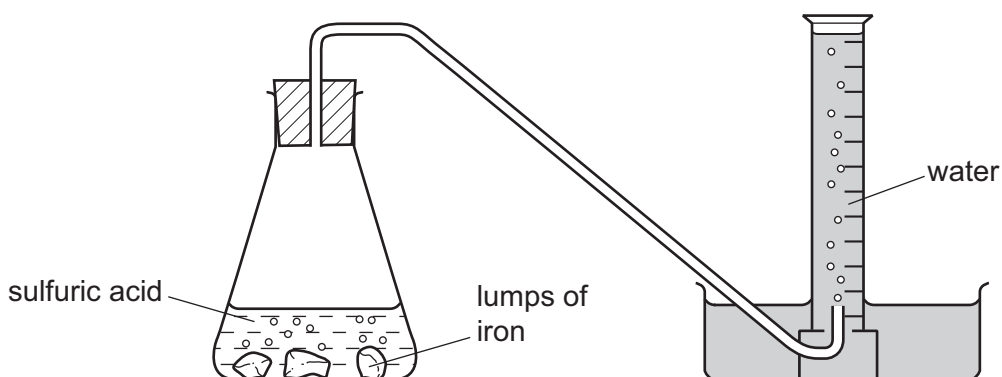
[3]

[Total: 14]

- 4 A student investigated the reaction of lumps of iron with sulfuric acid.



She used the apparatus shown below.



- (a) (i) Describe how this apparatus can be used to investigate the rate of this reaction.

.....  
 .....  
 ..... [3]

- (ii) Describe how the rate of reaction would differ if smaller lumps of iron were used. All other conditions remain the same.

..... [1]

- (b) The student investigated the effect of temperature on the reaction rate.

- (i) State **three** factors which the student should keep the same in each experiment.

1. ....  
 2. ....  
 3. .... [3]

(ii) The table shows how the rate of reaction changed with temperature.

temperature /°C	rate of reaction in cm <sup>3</sup> /s
20	2.2
30	4.4
40	8.8
50	17.6

Use the information in the table to describe how the rate of reaction changed with temperature.

.....  
..... [2]

(c) Iron(II) sulfate can be prepared by adding excess iron to sulfuric acid.

Describe how you could obtain pure dry crystals of iron(II) sulfate from the reaction mixture in the conical flask.

.....  
.....  
.....  
..... [3]

[Total: 12]



5 A crystal of sulfur melts when heated.

- (a) Explain, using the kinetic particle theory, the differences between the arrangement and motion of the particles in sulfur crystals and liquid sulfur.

.....  
 .....  
 .....  
 .....  
 ..... [4]

(b) Sulfur dioxide is an atmospheric pollutant.

- (i) Describe how sulfur dioxide is formed and how it gets into the atmosphere.

.....  
 .....  
 ..... [2]

- (ii) What type of oxide is sulfur dioxide?

..... [1]

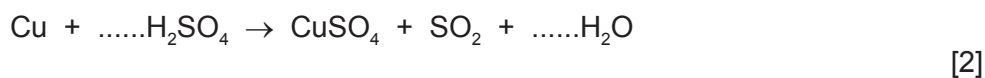
- (iii) Flue gas desulfurisation removes sulfur dioxide from exhaust gases in factories.

Describe the process of flue gas desulfurisation.

.....  
 ..... [2]

- (iv) Sulfur dioxide is also formed when copper is reduced by hot concentrated sulfuric acid.

Complete the symbol equation for this reaction.



(c) Copper is a metal.

Give **two** physical properties which are characteristic of all metals.

1. ....  
 2. .... [2]

- (d) The table below gives some properties of some metals that are used to make electrical cables and wires.

metal	strength	electrical conductivity	melting point /°C	price \$/kg
aluminium	comparatively weak	good	660	1.5
copper	strong	very good	1093	29
steel	strong	fairly good	1535	2.1
silver	fairly strong	very good	962	635

- (i) Suggest why aluminium with a steel core is used for overhead power cables.

.....  
 ..... [2]

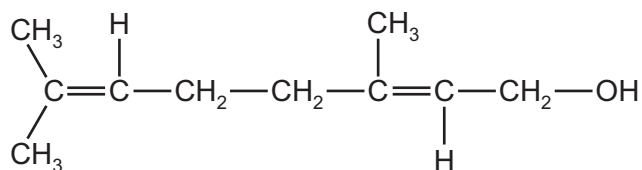
- (ii) Copper is used in electrical wiring in the home rather than silver.

Suggest why.

..... [1]

[Total: 16]

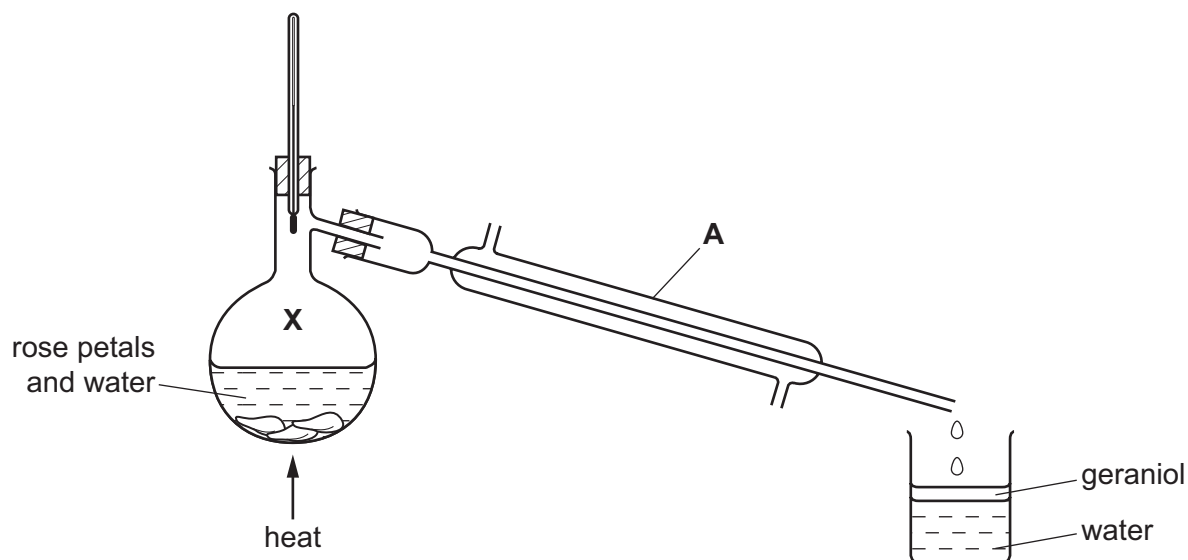
- 6 Geraniol is a chemical found in rose petals.  
The structure of geraniol is shown below.



- (a) (i) On the structure above, put a ring around the alcohol functional group. [1]
- (ii) Is geraniol a saturated or an unsaturated compound?  
Give a reason for your answer.

..... [1]

- (b) Geraniol can be extracted from rose petals by steam distillation using the apparatus shown below. The geraniol is carried off in small droplets with the steam.



- (i) Give the name of the piece of apparatus labelled A. [1]
- .....

- (ii) The vapour at point X is a mixture of geraniol and steam.  
Give **one** property of a mixture which distinguishes it from a compound.  
..... [1]

- (iii) The geraniol and water are collected in the beaker.  
What information in the diagram above shows that geraniol is less dense than water?  
..... [1]

(c) Geraniol can also be extracted from rose petals by grinding the petals in ethanol.

(i) Draw the structure of ethanol showing all atoms and all bonds.

[1]

(ii) Complete the word equation for the complete combustion of ethanol.

ethanol + oxygen → ..... + .....

[2]

(d) What is the percentage by volume of oxygen in the air?

..... [1]

[Total: 9]

7 Beryllium is in Group II and Period 2 of the Periodic Table.

(a) Describe the structure of a beryllium atom.

In your answer, refer to

- the type and number of each subatomic particle present,
- the charges on each type of subatomic particle,
- the position of each type of subatomic particle in the atom.

.....

.....

.....

.....

.....

.....

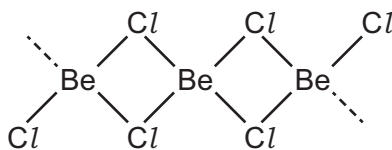
.....

.....

.....

..... [5]

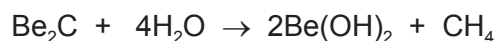
(b) Part of the structure of beryllium chloride is shown below.



Deduce the simplest formula for beryllium chloride.

..... [1]

(c) Beryllium carbide,  $\text{Be}_2\text{C}$ , reacts with water. Beryllium hydroxide and methane are formed.



(i) Calculate the relative formula mass of beryllium hydroxide.

[2]

(ii) Describe **one** adverse effect of methane on the environment.

..... [1]

[Total: 9]





**DATA SHEET**  
**The Periodic Table of the Elements**

Group		Group														
		I	II	III	IV	V	VI	VII	0							
		<table border="1" style="width: 100%; border-collapse: collapse; text-align: center;"> <tr> <td style="width: 12.5%;">1 <b>H</b> Hydrogen 1</td> <td colspan="6"></td> <td style="width: 12.5%;">2 <b>He</b> Helium 2</td> </tr> </table>							1 <b>H</b> Hydrogen 1							2 <b>He</b> Helium 2
1 <b>H</b> Hydrogen 1							2 <b>He</b> Helium 2									
		<table border="1" style="width: 100%; border-collapse: collapse; text-align: center;"> <tr> <td style="width: 12.5%;">9 <b>Be</b> Beryllium 4</td> <td colspan="6"></td> <td style="width: 12.5%;">20 <b>Ne</b> Neon 10</td> </tr> </table>							9 <b>Be</b> Beryllium 4							20 <b>Ne</b> Neon 10
9 <b>Be</b> Beryllium 4							20 <b>Ne</b> Neon 10									
		<table border="1" style="width: 100%; border-collapse: collapse; text-align: center;"> <tr> <td style="width: 12.5%;">7 <b>Li</b> Lithium 3</td> <td style="width: 12.5%;">24 <b>Mg</b> Magnesium 12</td> <td colspan="5"></td> <td style="width: 12.5%;">19 <b>F</b> Fluorine 9</td> </tr> </table>							7 <b>Li</b> Lithium 3	24 <b>Mg</b> Magnesium 12						19 <b>F</b> Fluorine 9
7 <b>Li</b> Lithium 3	24 <b>Mg</b> Magnesium 12						19 <b>F</b> Fluorine 9									
		<table border="1" style="width: 100%; border-collapse: collapse; text-align: center;"> <tr> <td style="width: 12.5%;">23 <b>Na</b> Sodium 11</td> <td style="width: 12.5%;">32 <b>Si</b> Silicon 14</td> <td colspan="5"></td> <td style="width: 12.5%;">17 <b>Cl</b> Chlorine 17</td> </tr> </table>							23 <b>Na</b> Sodium 11	32 <b>Si</b> Silicon 14						17 <b>Cl</b> Chlorine 17
23 <b>Na</b> Sodium 11	32 <b>Si</b> Silicon 14						17 <b>Cl</b> Chlorine 17									
		<table border="1" style="width: 100%; border-collapse: collapse; text-align: center;"> <tr> <td style="width: 12.5%;">39 <b>K</b> Potassium 19</td> <td style="width: 12.5%;">70 <b>Ga</b> Gallium 31</td> <td colspan="5"></td> <td style="width: 12.5%;">80 <b>Br</b> Bromine 35</td> </tr> </table>							39 <b>K</b> Potassium 19	70 <b>Ga</b> Gallium 31						80 <b>Br</b> Bromine 35
39 <b>K</b> Potassium 19	70 <b>Ga</b> Gallium 31						80 <b>Br</b> Bromine 35									
		<table border="1" style="width: 100%; border-collapse: collapse; text-align: center;"> <tr> <td style="width: 12.5%;">85 <b>Rb</b> Rubidium 37</td> <td style="width: 12.5%;">112 <b>Cd</b> Cadmium 48</td> <td colspan="5"></td> <td style="width: 12.5%;">127 <b>I</b> Iodine 53</td> </tr> </table>							85 <b>Rb</b> Rubidium 37	112 <b>Cd</b> Cadmium 48						127 <b>I</b> Iodine 53
85 <b>Rb</b> Rubidium 37	112 <b>Cd</b> Cadmium 48						127 <b>I</b> Iodine 53									
		<table border="1" style="width: 100%; border-collapse: collapse; text-align: center;"> <tr> <td style="width: 12.5%;">133 <b>Cs</b> Caesium 55</td> <td style="width: 12.5%;">204 <b>Pb</b> Lead 82</td> <td colspan="5"></td> <td style="width: 12.5%;">209 <b>Bi</b> Bismuth 83</td> </tr> </table>							133 <b>Cs</b> Caesium 55	204 <b>Pb</b> Lead 82						209 <b>Bi</b> Bismuth 83
133 <b>Cs</b> Caesium 55	204 <b>Pb</b> Lead 82						209 <b>Bi</b> Bismuth 83									
		<table border="1" style="width: 100%; border-collapse: collapse; text-align: center;"> <tr> <td style="width: 12.5%;">226 <b>Ra</b> Radium 88</td> <td style="width: 12.5%;">201 <b>Hg</b> Mercury 80</td> <td colspan="5"></td> <td style="width: 12.5%;">85 <b>At</b> Astatine 85</td> </tr> </table>							226 <b>Ra</b> Radium 88	201 <b>Hg</b> Mercury 80						85 <b>At</b> Astatine 85
226 <b>Ra</b> Radium 88	201 <b>Hg</b> Mercury 80						85 <b>At</b> Astatine 85									
		<table border="1" style="width: 100%; border-collapse: collapse; text-align: center;"> <tr> <td style="width: 12.5%;">227 <b>Ac</b> Actinium 89 †</td> <td colspan="6"></td> <td style="width: 12.5%;">86 <b>Rn</b> Radon 86</td> </tr> </table>							227 <b>Ac</b> Actinium 89 †							86 <b>Rn</b> Radon 86
227 <b>Ac</b> Actinium 89 †							86 <b>Rn</b> Radon 86									
		<table border="1" style="width: 100%; border-collapse: collapse; text-align: center;"> <tr> <td style="width: 12.5%;">140 <b>Ce</b> Cerium 58</td> <td style="width: 12.5%;">144 <b>Nd</b> Neodymium 60</td> <td style="width: 12.5%;">150 <b>Sm</b> Samarium 62</td> <td style="width: 12.5%;">157 <b>Gd</b> Gadolinium 64</td> <td style="width: 12.5%;">162 <b>Dy</b> Dysprosium 66</td> <td style="width: 12.5%;">169 <b>Tm</b> Thulium 69</td> <td style="width: 12.5%;">173 <b>Yb</b> Ytterbium 70</td> <td style="width: 12.5%;">175 <b>Lu</b> Lutetium 71</td> </tr> </table>							140 <b>Ce</b> Cerium 58	144 <b>Nd</b> Neodymium 60	150 <b>Sm</b> Samarium 62	157 <b>Gd</b> Gadolinium 64	162 <b>Dy</b> Dysprosium 66	169 <b>Tm</b> Thulium 69	173 <b>Yb</b> Ytterbium 70	175 <b>Lu</b> Lutetium 71
140 <b>Ce</b> Cerium 58	144 <b>Nd</b> Neodymium 60	150 <b>Sm</b> Samarium 62	157 <b>Gd</b> Gadolinium 64	162 <b>Dy</b> Dysprosium 66	169 <b>Tm</b> Thulium 69	173 <b>Yb</b> Ytterbium 70	175 <b>Lu</b> Lutetium 71									
		<table border="1" style="width: 100%; border-collapse: collapse; text-align: center;"> <tr> <td style="width: 12.5%;">232 <b>Th</b> Thorium 90</td> <td style="width: 12.5%;">238 <b>U</b> Uranium 92</td> <td style="width: 12.5%;">244 <b>Pu</b> Plutonium 94</td> <td style="width: 12.5%;">247 <b>Am</b> Americium 95</td> <td style="width: 12.5%;">251 <b>Cm</b> Curium 96</td> <td style="width: 12.5%;">257 <b>Bk</b> Berkelium 97</td> <td style="width: 12.5%;">261 <b>Cf</b> Californium 98</td> <td style="width: 12.5%;">265 <b>Es</b> Einsteinium 99</td> </tr> </table>							232 <b>Th</b> Thorium 90	238 <b>U</b> Uranium 92	244 <b>Pu</b> Plutonium 94	247 <b>Am</b> Americium 95	251 <b>Cm</b> Curium 96	257 <b>Bk</b> Berkelium 97	261 <b>Cf</b> Californium 98	265 <b>Es</b> Einsteinium 99
232 <b>Th</b> Thorium 90	238 <b>U</b> Uranium 92	244 <b>Pu</b> Plutonium 94	247 <b>Am</b> Americium 95	251 <b>Cm</b> Curium 96	257 <b>Bk</b> Berkelium 97	261 <b>Cf</b> Californium 98	265 <b>Es</b> Einsteinium 99									
		<table border="1" style="width: 100%; border-collapse: collapse; text-align: center;"> <tr> <td style="width: 12.5%;">141 <b>Pr</b> Praseodymium 59</td> <td style="width: 12.5%;">147 <b>Eu</b> Europium 63</td> <td style="width: 12.5%;">152 <b>Gd</b> Gadolinium 64</td> <td style="width: 12.5%;">158 <b>Tb</b> Terbium 65</td> <td style="width: 12.5%;">164 <b>Dy</b> Dysprosium 66</td> <td style="width: 12.5%;">171 <b>Er</b> Erbium 68</td> <td style="width: 12.5%;">178 <b>Yb</b> Ytterbium 70</td> <td style="width: 12.5%;">189 <b>Lu</b> Lutetium 71</td> </tr> </table>							141 <b>Pr</b> Praseodymium 59	147 <b>Eu</b> Europium 63	152 <b>Gd</b> Gadolinium 64	158 <b>Tb</b> Terbium 65	164 <b>Dy</b> Dysprosium 66	171 <b>Er</b> Erbium 68	178 <b>Yb</b> Ytterbium 70	189 <b>Lu</b> Lutetium 71
141 <b>Pr</b> Praseodymium 59	147 <b>Eu</b> Europium 63	152 <b>Gd</b> Gadolinium 64	158 <b>Tb</b> Terbium 65	164 <b>Dy</b> Dysprosium 66	171 <b>Er</b> Erbium 68	178 <b>Yb</b> Ytterbium 70	189 <b>Lu</b> Lutetium 71									
		<table border="1" style="width: 100%; border-collapse: collapse; text-align: center;"> <tr> <td style="width: 12.5%;">48 <b>Ti</b> Titanium 22</td> <td style="width: 12.5%;">56 <b>Fe</b> Iron 26</td> <td style="width: 12.5%;">64 <b>Cu</b> Copper 29</td> <td style="width: 12.5%;">72 <b>Hf</b> Hafnium 72 *</td> <td style="width: 12.5%;">80 <b>Zn</b> Zinc 30</td> <td style="width: 12.5%;">88 <b>Sr</b> Strontium 38</td> <td style="width: 12.5%;">96 <b>Mo</b> Molybdenum 42</td> <td style="width: 12.5%;">104 <b>Ru</b> Ruthenium 44</td> </tr> </table>							48 <b>Ti</b> Titanium 22	56 <b>Fe</b> Iron 26	64 <b>Cu</b> Copper 29	72 <b>Hf</b> Hafnium 72 *	80 <b>Zn</b> Zinc 30	88 <b>Sr</b> Strontium 38	96 <b>Mo</b> Molybdenum 42	104 <b>Ru</b> Ruthenium 44
48 <b>Ti</b> Titanium 22	56 <b>Fe</b> Iron 26	64 <b>Cu</b> Copper 29	72 <b>Hf</b> Hafnium 72 *	80 <b>Zn</b> Zinc 30	88 <b>Sr</b> Strontium 38	96 <b>Mo</b> Molybdenum 42	104 <b>Ru</b> Ruthenium 44									
		<table border="1" style="width: 100%; border-collapse: collapse; text-align: center;"> <tr> <td style="width: 12.5%;">45 <b>Sc</b> Scandium 21</td> <td style="width: 12.5%;">53 <b>Mn</b> Manganese 25</td> <td style="width: 12.5%;">61 <b>Ni</b> Nickel 28</td> <td style="width: 12.5%;">69 <b>Co</b> Cobalt 27</td> <td style="width: 12.5%;">77 <b>Ir</b> Iridium 77</td> <td style="width: 12.5%;">87 <b>Y</b> Yttrium 39</td> <td style="width: 12.5%;">95 <b>Tc</b> Technetium 43</td> <td style="width: 12.5%;">103 <b>Rh</b> Rhodium 45</td> </tr> </table>							45 <b>Sc</b> Scandium 21	53 <b>Mn</b> Manganese 25	61 <b>Ni</b> Nickel 28	69 <b>Co</b> Cobalt 27	77 <b>Ir</b> Iridium 77	87 <b>Y</b> Yttrium 39	95 <b>Tc</b> Technetium 43	103 <b>Rh</b> Rhodium 45
45 <b>Sc</b> Scandium 21	53 <b>Mn</b> Manganese 25	61 <b>Ni</b> Nickel 28	69 <b>Co</b> Cobalt 27	77 <b>Ir</b> Iridium 77	87 <b>Y</b> Yttrium 39	95 <b>Tc</b> Technetium 43	103 <b>Rh</b> Rhodium 45									
		<table border="1" style="width: 100%; border-collapse: collapse; text-align: center;"> <tr> <td style="width: 12.5%;">137 <b>Ba</b> Barium 56</td> <td style="width: 12.5%;">178 <b>Hf</b> Hafnium 72</td> <td style="width: 12.5%;">181 <b>Ta</b> Tantalum 73</td> <td style="width: 12.5%;">186 <b>Re</b> Rhenium 75</td> <td style="width: 12.5%;">190 <b>Os</b> Osmium 76</td> <td style="width: 12.5%;">197 <b>Au</b> Gold 79</td> <td style="width: 12.5%;">201 <b>Hg</b> Mercury 80</td> <td style="width: 12.5%;">207 <b>Pb</b> Lead 82</td> </tr> </table>							137 <b>Ba</b> Barium 56	178 <b>Hf</b> Hafnium 72	181 <b>Ta</b> Tantalum 73	186 <b>Re</b> Rhenium 75	190 <b>Os</b> Osmium 76	197 <b>Au</b> Gold 79	201 <b>Hg</b> Mercury 80	207 <b>Pb</b> Lead 82
137 <b>Ba</b> Barium 56	178 <b>Hf</b> Hafnium 72	181 <b>Ta</b> Tantalum 73	186 <b>Re</b> Rhenium 75	190 <b>Os</b> Osmium 76	197 <b>Au</b> Gold 79	201 <b>Hg</b> Mercury 80	207 <b>Pb</b> Lead 82									
		<table border="1" style="width: 100%; border-collapse: collapse; text-align: center;"> <tr> <td style="width: 12.5%;">226 <b>Ra</b> Radium 88</td> <td style="width: 12.5%;">227 <b>Ac</b> Actinium 89 †</td> <td colspan="5"></td> <td style="width: 12.5%;">86 <b>Rn</b> Radon 86</td> </tr> </table>							226 <b>Ra</b> Radium 88	227 <b>Ac</b> Actinium 89 †						86 <b>Rn</b> Radon 86
226 <b>Ra</b> Radium 88	227 <b>Ac</b> Actinium 89 †						86 <b>Rn</b> Radon 86									

\*58-71 Lanthanoid series  
†90-103 Actinoid series

Key

$\frac{a}{b} \text{ X}$   
 a = relative atomic mass  
 X = atomic symbol  
 b = proton (atomic) number

The volume of one mole of any gas is 24 dm<sup>3</sup> at room temperature and pressure (r.t.p.).