

## Location Entry Codes

---

As part of CIE's continual commitment to maintaining best practice in assessment, CIE uses different variants of some question papers for our most popular assessments with large and widespread candidature. The question papers are closely related and the relationships between them have been thoroughly established using our assessment expertise. All versions of the paper give assessment of equal standard.

The content assessed by the examination papers and the type of questions is unchanged.

This change means that for this component there are now two variant Question Papers, Mark Schemes and Principal Examiner's Reports where previously there was only one. For any individual country, it is intended that only one variant is used. This document contains both variants which will give all Centres access to even more past examination material than is usually the case.

The diagram shows the relationship between the Question Papers, Mark Schemes and Principal Examiners' Reports that are available.

<b>Question Paper</b>	<b>Mark Scheme</b>	<b>Principal Examiner's Report</b>
Introduction	Introduction	Introduction
First variant Question Paper	First variant Mark Scheme	First variant Principal Examiner's Report
Second variant Question Paper	Second variant Mark Scheme	Second variant Principal Examiner's Report

### Who can I contact for further information on these changes?

Please direct any questions about this to CIE's Customer Services team at:

[international@cie.org.uk](mailto:international@cie.org.uk)

The titles for the variant items should correspond with the table above, so that at the top of the first page of the relevant part of the document and on the header, it has the words:

- First variant Question Paper / Mark Scheme / Principal Examiner's Report

or

- Second variant Question Paper / Mark Scheme / Principal Examiner's Report

as appropriate.



UNIVERSITY OF CAMBRIDGE INTERNATIONAL EXAMINATIONS  
International General Certificate of Secondary Education

CANDIDATE  
NAME

CENTRE  
NUMBER

--	--	--	--	--

CANDIDATE  
NUMBER

--	--	--	--

\* 2 9 4 2 3 9 7 2 8 8 \*

**CHEMISTRY**

**0620/31**

Paper 3 (Extended)

**October/November 2008**

**1 hour 15 minutes**

Candidates answer on the Question Paper.

No Additional Materials are required.

**READ THESE INSTRUCTIONS FIRST**

Write your Centre number, candidate number and name on all the work you hand in.

Write in dark blue or black pen.

You may use a pencil for any diagrams, graphs or rough working.

Do not use staples, paper clips, highlighters, glue or correction fluid.

**DO NOT WRITE IN ANY BARCODES**

Answer **all** questions.

A copy of the Periodic Table is printed on page 12.

At the end of the examination, fasten all your work securely together.

The number of marks is given in brackets [ ] at the end of each question or part questions.

For Examiner's Use	
<b>1</b>	
<b>2</b>	
<b>3</b>	
<b>4</b>	
<b>5</b>	
<b>6</b>	
<b>7</b>	
<b>Total</b>	

This document consists of **12** printed pages.



1 Complete the following table.

gas	test for gas
ammonia	
	bleaches damp litmus paper
hydrogen	
	relights a glowing splint
	turns limewater milky

[Total: 5]

*For  
Examiner's  
Use*

2 There are three types of giant structure – ionic, metallic and macromolecular.

(a) Sodium nitride is an ionic compound. Draw a diagram that shows the formula of the compound, the charges on the ions and the arrangement of the valency electrons around the negative ion.

Use x to represent an electron from a sodium atom.  
Use o to represent an electron from a nitrogen atom.

[3]

(b) (i) Describe metallic bonding.

.....  
..... [3]

(ii) Use the above ideas to explain why  
metals are good conductors of electricity,

..... [1]  
metals are malleable.

..... [2]

(c) Silicon(IV) oxide has a macromolecular structure.

(i) **Describe** the structure of silicon(IV) oxide (a diagram is not acceptable).

.....  
.....  
..... [3]

(ii) Diamond has a similar structure and consequently similar properties.  
Give **two** physical properties common to both diamond and silicon(IV) oxide.

.....  
..... [2]

[Total: 14]

3 Steel is an alloy made from impure iron.

(a) Both iron and steel rust. The formula for rust is  $\text{Fe}_2\text{O}_3 \cdot 2\text{H}_2\text{O}$ .  
It is hydrated iron(III) oxide.

(i) Name the **two** substances that must be present for rusting to occur.

..... [2]

(ii) Painting and coating with grease are two methods of preventing iron or steel from rusting. Give **two** other methods.

.....  
..... [2]

(b) (i) Name a reagent that can reduce iron(III) oxide to iron.

..... [1]

(ii) Write a symbol equation for the reduction of iron(III) oxide,  $\text{Fe}_2\text{O}_3$ , to iron.

..... [2]

(c) (i) Calculate the mass of one mole of  $\text{Fe}_2\text{O}_3 \cdot 2\text{H}_2\text{O}$ .

..... [1]

(ii) Use your answer to (i) to calculate the percentage of iron in rust.

.....  
..... [2]

(d) Iron from the blast furnace is impure. Two of the impurities are carbon and silicon. These are removed by blowing oxygen through the molten iron and adding calcium oxide.

(i) Explain how the addition of oxygen removes carbon.

.....  
..... [1]

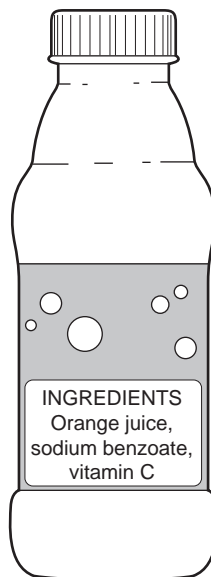
(ii) Explain how the addition of oxygen and calcium oxide removes silicon.

.....  
..... [2]

[Total: 13]

- 4 Across the world, food safety agencies are investigating the presence of minute traces of the toxic hydrocarbon, benzene, in soft drinks. It is formed by the reduction of sodium benzoate by vitamin C.

For  
Examiner's  
Use



- (a) Sodium benzoate is a salt, it has the formula  $C_6H_5COONa$ . It can be made by the neutralisation of benzoic acid by sodium hydroxide.

(i) Deduce the formula of benzoic acid.

..... [1]

(ii) Write a word equation for the reaction between benzoic acid and sodium hydroxide.

..... [1]

(iii) Name **two** other compounds that would react with benzoic acid to form sodium benzoate.

..... [2]

- (b) Benzene contains 92.3% of carbon and its relative molecular mass is 78.

(i) What is the percentage of hydrogen in benzene?

..... [1]

(ii) Calculate the ratio of moles of C atoms: moles of H atoms in benzene.

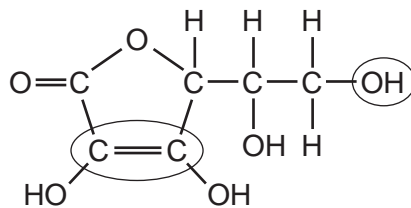
.....  
..... [2]

(iii) Calculate its empirical formula and **then** its molecular formula.

The empirical formula of benzene is .....

The molecular formula of benzene is ..... [2]

(c) The structural formula of Vitamin C is drawn below.



For  
Examiner's  
Use

(i) What is its molecular formula?

..... [1]

(ii) Name the two functional groups which are circled.

..... [2]

[Total: 12]

5 The electrolysis of concentrated aqueous sodium chloride produces three commercially important chemicals hydrogen, chlorine and sodium hydroxide.

For  
Examiner's  
Use

(a) The ions present are  $\text{Na}^+(\text{aq})$ ,  $\text{H}^+(\text{aq})$ ,  $\text{Cl}^-(\text{aq})$  and  $\text{OH}^-(\text{aq})$ .

(i) Complete the ionic equation for the reaction at the negative electrode (cathode).



(ii) Complete the ionic equation for the reaction at the positive electrode (anode).



(iii) Explain why the solution changes from sodium chloride to sodium hydroxide.

..... [1]

(b) (i) Why does the water supply industry use chlorine?

..... [1]

(ii) Name an important chemical that is made from hydrogen.

..... [1]

(iii) How is sodium hydroxide used to make soap?

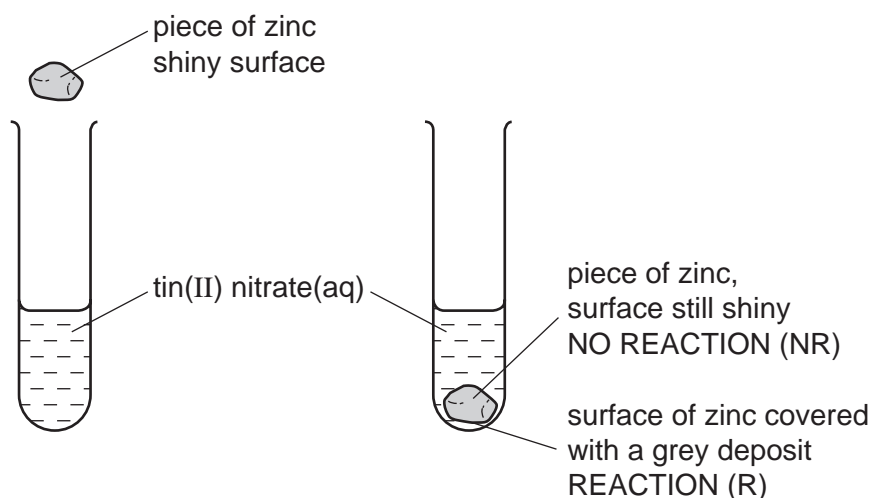
..... [2]

[Total: 7]



6 The reactivity series lists metals in order of reactivity.

- (a) To find out which is the more reactive metal, zinc or tin, the following experiment could be carried out.



This experiment could be carried out with other metals and the results recorded in a table. Then the order of reactivity can be deduced.

- (i) The order was found to be:
- |           |                |
|-----------|----------------|
| manganese | most reactive  |
| zinc      |                |
| tin       |                |
| silver    | least reactive |

Complete the table of results from which this order was determined.

aqueous solution	tin Sn	manganese Mn	silver Ag	zinc Zn
tin(II) nitrate		R	NR	R
manganese(II) nitrate				
silver(I) nitrate				
zinc nitrate				

[3]

- (ii) Write the ionic equation for the reaction between tin atoms and silver(I) ions.

.....

[2]

- (iii) The following is a redox reaction.



Indicate on the equation the change which is oxidation.  
Give a reason for your choice.

..... [2]

- (iv) Explain why experiments of this type cannot be used to find the position of aluminium in the reactivity series.

.....  
..... [2]

- (b) Potassium and calcium are very reactive metals at the top of the series. Because their ions have different charges,  $\text{K}^+$  and  $\text{Ca}^{2+}$ , their compounds behave differently when heated.

- (i) Explain why the ions have different charges.

.....  
..... [2]

- (ii) Their hydroxides are heated.  
If the compound decomposes, complete the word equation.  
If it does not decompose, write "no reaction".

Potassium hydroxide  $\longrightarrow$  .....

Calcium hydroxide  $\longrightarrow$  ..... [2]

- (iii) Complete the equations for the decomposition of their nitrates.

$2\text{KNO}_3 \longrightarrow$  ..... + .....

$2\text{Ca}(\text{NO}_3)_2 \longrightarrow$  ..... + ..... + ..... [4]

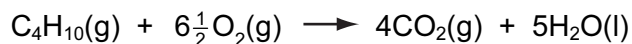
[Total: 17]

- 7 The alkanes are generally unreactive. Their reactions include combustion, substitution and cracking.

For  
Examiner's  
Use

(a) The complete combustion of an alkane gives carbon dioxide and water.

- (i) 10 cm<sup>3</sup> of butane is mixed with 100 cm<sup>3</sup> of oxygen, which is an excess. The mixture is ignited. What is the volume of unreacted oxygen left and what is the volume of carbon dioxide formed?



Volume of oxygen left = ..... cm<sup>3</sup>

Volume of carbon dioxide formed = ..... cm<sup>3</sup> [2]

- (ii) Why is the incomplete combustion of any alkane dangerous, particularly in an enclosed space?

.....  
..... [2]

(b) The equation for a substitution reaction of butane is given below.



- (i) Name the organic product.

..... [1]

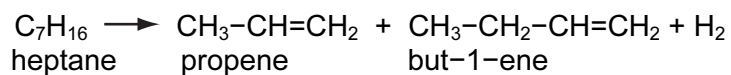
- (ii) This reaction does not need increased temperature or pressure. What is the essential reaction condition?

..... [1]

- (iii) Write a different equation for a substitution reaction between butane and chlorine.

..... [1]

- (c) Alkenes are more reactive and industrially more useful than alkanes. They are made by cracking alkanes.



- (i) Draw the structural formula of the polymer poly(propene).

[2]

- (ii) Give the structural formula and name of the alcohol formed when but-1-ene reacts with steam.

name .....

[1]

structural formula

[1]

- (iii) Deduce the structural formula of the product formed when propene reacts with hydrogen chloride.

[1]

[Total: 12]

**DATA SHEET**  
**The Periodic Table of the Elements**

		Group																																																	
I	II	III	IV	V	VI	VII	0																																												
		1 <b>H</b> Hydrogen 1							2 <b>He</b> Helium 2																																										
7 <b>Li</b> Lithium 3	9 <b>Be</b> Beryllium 4							20 <b>Ne</b> Neon 10																																											
23 <b>Na</b> Sodium 11	24 <b>Mg</b> Magnesium 12	27 <b>Al</b> Aluminium 13	28 <b>Si</b> Silicon 14	31 <b>P</b> Phosphorus 15	32 <b>S</b> Sulphur 16	35.5 <b>Cl</b> Chlorine 17	40 <b>Ar</b> Argon 18																																												
39 <b>K</b> Potassium 19	40 <b>Ca</b> Calcium 20	70 <b>Ga</b> Gallium 31	73 <b>Ge</b> Germanium 32	75 <b>As</b> Arsenic 33	79 <b>Se</b> Selenium 34	80 <b>Br</b> Bromine 35	84 <b>Kr</b> Krypton 36																																												
85 <b>Rb</b> Rubidium 37	88 <b>Sr</b> Strontium 38	106 <b>Pd</b> Palladium 46	108 <b>Ag</b> Silver 47	112 <b>Cd</b> Cadmium 48	115 <b>In</b> Indium 49	122 <b>Sb</b> Antimony 51	131 <b>Xe</b> Xenon 54																																												
133 <b>Cs</b> Caesium 55	137 <b>Ba</b> Barium 56	195 <b>Pt</b> Platinum 78	197 <b>Au</b> Gold 79	201 <b>Hg</b> Mercury 80	204 <b>Tl</b> Thallium 81	209 <b>Bi</b> Bismuth 83	210 <b>Po</b> Polonium 84	210 <b>Rn</b> Radon 86																																											
226 <b>Ra</b> Radium 88	227 <b>Ac</b> Actinium 89																																																		
<p>*58-71 Lanthanoid series †90-103 Actinoid series</p>																																																			
<table border="1" style="width: 100%; border-collapse: collapse; text-align: center;"> <tr> <td style="width: 5%;"></td> <td style="width: 5%;"></td> <td style="width: 5%;"></td> <td style="width: 5%;"></td> <td style="width: 5%;"></td> <td style="width: 5%;"></td> <td style="width: 5%;"></td> <td style="width: 5%;"></td> <td style="width: 5%;"></td> <td style="width: 5%;"></td> <td style="width: 5%;"></td> <td style="width: 5%;"></td> </tr> <tr> <td style="text-align: left;">a</td> <td style="text-align: left;"><b>X</b></td> <td style="text-align: left;">b</td> <td style="text-align: left;">a</td> <td style="text-align: left;">b</td> <td style="text-align: left;">c</td> <td style="text-align: left;">d</td> <td style="text-align: left;">e</td> <td style="text-align: left;">f</td> <td style="text-align: left;">g</td> <td style="text-align: left;">h</td> <td style="text-align: left;">i</td> </tr> <tr> <td colspan="12"> <p>Key a = relative atomic mass X = atomic symbol b = proton (atomic) number</p> </td> </tr> </table>																								a	<b>X</b>	b	a	b	c	d	e	f	g	h	i	<p>Key a = relative atomic mass X = atomic symbol b = proton (atomic) number</p>															
a	<b>X</b>	b	a	b	c	d	e	f	g	h	i																																								
<p>Key a = relative atomic mass X = atomic symbol b = proton (atomic) number</p>																																																			
<table border="1" style="width: 100%; border-collapse: collapse; text-align: center;"> <tr> <td style="width: 5%;"></td> <td style="width: 5%;"></td> <td style="width: 5%;"></td> <td style="width: 5%;"></td> <td style="width: 5%;"></td> <td style="width: 5%;"></td> <td style="width: 5%;"></td> <td style="width: 5%;"></td> <td style="width: 5%;"></td> <td style="width: 5%;"></td> <td style="width: 5%;"></td> <td style="width: 5%;"></td> </tr> <tr> <td style="text-align: left;">140 <b>Ce</b> Cerium 58</td> <td style="text-align: left;">141 <b>Pr</b> Praseodymium 59</td> <td style="text-align: left;">144 <b>Nd</b> Neodymium 60</td> <td style="text-align: left;">146 <b>Pm</b> Promethium 61</td> <td style="text-align: left;">150 <b>Sm</b> Samarium 62</td> <td style="text-align: left;">152 <b>Eu</b> Europium 63</td> <td style="text-align: left;">157 <b>Gd</b> Gadolinium 64</td> <td style="text-align: left;">162 <b>Dy</b> Dysprosium 66</td> <td style="text-align: left;">165 <b>Ho</b> Holmium 67</td> <td style="text-align: left;">167 <b>Er</b> Erbium 68</td> <td style="text-align: left;">169 <b>Tm</b> Thulium 69</td> <td style="text-align: left;">173 <b>Yb</b> Ytterbium 70</td> <td style="text-align: right;">175 <b>Lu</b> Lutetium 71</td> </tr> <tr> <td style="text-align: left;">232 <b>Th</b> Thorium 90</td> <td style="text-align: left;">238 <b>Pa</b> Protactinium 91</td> <td style="text-align: left;">238 <b>U</b> Uranium 92</td> <td style="text-align: left;">238 <b>Np</b> Neptunium 93</td> <td style="text-align: left;">244 <b>Pu</b> Plutonium 94</td> <td style="text-align: left;">244 <b>Am</b> Americium 95</td> <td style="text-align: left;">244 <b>Cm</b> Curium 96</td> <td style="text-align: left;">244 <b>Bk</b> Berkelium 97</td> <td style="text-align: left;">244 <b>Cf</b> Californium 98</td> <td style="text-align: left;">244 <b>Fm</b> Fermium 100</td> <td style="text-align: left;">244 <b>Md</b> Mendelevium 101</td> <td style="text-align: left;">244 <b>No</b> Nobelium 102</td> <td style="text-align: right;">244 <b>Lr</b> Lawrencium 103</td> </tr> </table>																								140 <b>Ce</b> Cerium 58	141 <b>Pr</b> Praseodymium 59	144 <b>Nd</b> Neodymium 60	146 <b>Pm</b> Promethium 61	150 <b>Sm</b> Samarium 62	152 <b>Eu</b> Europium 63	157 <b>Gd</b> Gadolinium 64	162 <b>Dy</b> Dysprosium 66	165 <b>Ho</b> Holmium 67	167 <b>Er</b> Erbium 68	169 <b>Tm</b> Thulium 69	173 <b>Yb</b> Ytterbium 70	175 <b>Lu</b> Lutetium 71	232 <b>Th</b> Thorium 90	238 <b>Pa</b> Protactinium 91	238 <b>U</b> Uranium 92	238 <b>Np</b> Neptunium 93	244 <b>Pu</b> Plutonium 94	244 <b>Am</b> Americium 95	244 <b>Cm</b> Curium 96	244 <b>Bk</b> Berkelium 97	244 <b>Cf</b> Californium 98	244 <b>Fm</b> Fermium 100	244 <b>Md</b> Mendelevium 101	244 <b>No</b> Nobelium 102	244 <b>Lr</b> Lawrencium 103		
140 <b>Ce</b> Cerium 58	141 <b>Pr</b> Praseodymium 59	144 <b>Nd</b> Neodymium 60	146 <b>Pm</b> Promethium 61	150 <b>Sm</b> Samarium 62	152 <b>Eu</b> Europium 63	157 <b>Gd</b> Gadolinium 64	162 <b>Dy</b> Dysprosium 66	165 <b>Ho</b> Holmium 67	167 <b>Er</b> Erbium 68	169 <b>Tm</b> Thulium 69	173 <b>Yb</b> Ytterbium 70	175 <b>Lu</b> Lutetium 71																																							
232 <b>Th</b> Thorium 90	238 <b>Pa</b> Protactinium 91	238 <b>U</b> Uranium 92	238 <b>Np</b> Neptunium 93	244 <b>Pu</b> Plutonium 94	244 <b>Am</b> Americium 95	244 <b>Cm</b> Curium 96	244 <b>Bk</b> Berkelium 97	244 <b>Cf</b> Californium 98	244 <b>Fm</b> Fermium 100	244 <b>Md</b> Mendelevium 101	244 <b>No</b> Nobelium 102	244 <b>Lr</b> Lawrencium 103																																							

The volume of one mole of any gas is 24 dm<sup>3</sup> at room temperature and pressure (r.t.p.).

Permission to reproduce items where third-party owned material protected by copyright is included has been sought and cleared where possible. Every reasonable effort has been made by the publisher (UCLES) to trace copyright holders, but if any items requiring clearance have unwittingly been included, the publisher will be pleased to make amends at the earliest possible opportunity.

University of Cambridge International Examinations is part of the Cambridge Assessment Group. Cambridge Assessment is the brand name of University of Cambridge Local Examinations Syndicate (UCLES), which is itself a department of the University of Cambridge.



UNIVERSITY OF CAMBRIDGE INTERNATIONAL EXAMINATIONS  
International General Certificate of Secondary Education

CANDIDATE  
NAME

CENTRE  
NUMBER

--	--	--	--	--

CANDIDATE  
NUMBER

--	--	--	--



**CHEMISTRY**

**0620/32**

Paper 3 (Extended)

**October/November 2008**

**1 hour 15 minutes**

Candidates answer on the Question Paper.

No Additional Materials are required.

**READ THESE INSTRUCTIONS FIRST**

Write your Centre number, candidate number and name on all the work you hand in.

Write in dark blue or black pen.

You may use a pencil for any diagrams, graphs or rough working.

Do not use staples, paper clips, highlighters, glue or correction fluid.

**DO NOT WRITE IN ANY BARCODES**

Answer **all** questions.

A copy of the Periodic Table is printed on page 12.

At the end of the examination, fasten all your work securely together.

The number of marks is given in brackets [ ] at the end of each question or part questions.

For Examiner's Use	
1	
2	
3	
4	
5	
6	
7	
<b>Total</b>	

This document consists of **12** printed pages.



1 Complete the following table.

gas	test for gas
	turns damp red litmus paper blue
	bleaches damp litmus paper
hydrogen	
oxygen	
carbon dioxide	

[Total: 5]

*For  
Examiner's  
Use*

2 There are three types of giant structure – ionic, metallic and macromolecular.

(a) Sodium sulphide is an ionic compound. Draw a diagram that shows the formula of the compound, the charges on the ions and the arrangement of the valency electrons around the negative ion.

Use x to represent an electron from a sodium atom.  
Use o to represent an electron from a sulphur atom.

[3]

(b) (i) Describe metallic bonding.

.....  
..... [3]

(ii) Use the above ideas to explain why  
metals are good conductors of electricity,

..... [1]

metals are malleable.

..... [2]

(c) Silicon(IV) oxide has a macromolecular structure.

(i) **Describe** the structure of silicon(IV) oxide (a diagram is not acceptable).

.....  
.....  
..... [3]

(ii) Diamond has a similar structure and consequently similar properties.  
Give **two** physical properties common to both diamond and silicon(IV) oxide.

.....  
..... [2]

[Total: 14]



3 Steel is an alloy made from impure iron.

(a) Both iron and steel rust. The formula for rust is  $\text{Fe}_2\text{O}_3 \cdot 2\text{H}_2\text{O}$ .  
It is hydrated iron(III) oxide.

(i) Name the **two** substances that must be present for rusting to occur.

..... and ..... [2]

(ii) Painting and coating with grease are two methods of preventing iron or steel from rusting. Give **two** other methods.

.....  
..... [2]

(b) (i) Name a reagent that can reduce iron(III) oxide to iron.

..... [1]

(ii) Write a symbol equation for the reduction of iron(III) oxide,  $\text{Fe}_2\text{O}_3$ , to iron.

..... [2]

(c) (i) Calculate the mass of one mole of  $\text{Fe}_2\text{O}_3 \cdot 2\text{H}_2\text{O}$ .

..... [1]

(ii) Use your answer to (i) to calculate the percentage of water in rust.

.....  
..... [2]

(d) Iron from the blast furnace is impure. Two of the impurities are carbon and silicon. These are removed by blowing oxygen through the molten iron and adding calcium oxide.

(i) Explain how the addition of oxygen removes carbon.

.....  
..... [1]

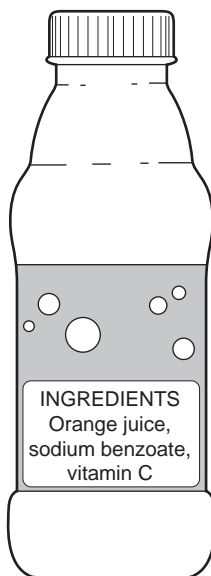
(ii) Explain how the addition of oxygen and calcium oxide removes silicon.

.....  
..... [2]

[Total: 13]

- 4 Across the world, food safety agencies are investigating the presence of minute traces of the toxic hydrocarbon, benzene, in soft drinks. It is formed by the reduction of sodium benzoate by vitamin C.

For  
Examiner's  
Use



- (a) Sodium benzoate is a salt, it has the formula  $C_6H_5COONa$ . It can be made by the neutralisation of benzoic acid by sodium hydroxide.

- (i) Deduce the formula of benzoic acid.

..... [1]

- (ii) Write a word equation for the reaction between benzoic acid and sodium hydroxide.

..... [1]

- (iii) Name **two** other compounds that would react with benzoic acid to form sodium benzoate.

..... [2]

(b) Benzene contains 92.3% of carbon and its relative molecular mass is 78.

(i) What is the percentage of hydrogen in benzene?

..... [1]

(ii) Calculate the ratio of moles of C atoms: moles of H atoms in benzene.

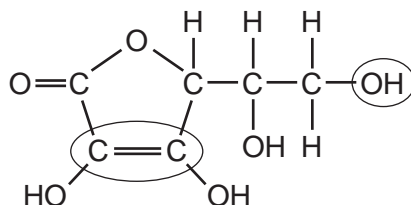
.....  
..... [2]

(iii) Calculate its empirical formula and **then** its molecular formula.

The empirical formula of benzene is .....

The molecular formula of benzene is ..... [2]

(c) The structural formula of Vitamin C is drawn below.



(i) What is its molecular formula?

..... [1]

(ii) Name the two functional groups which are circled.

..... [2]

[Total: 12]

5 The electrolysis of concentrated aqueous sodium chloride produces three commercially important chemicals; hydrogen, chlorine and sodium hydroxide.

For  
Examiner's  
Use

(a) The ions present are  $\text{Na}^+(\text{aq})$ ,  $\text{H}^+(\text{aq})$ ,  $\text{Cl}^-(\text{aq})$  and  $\text{OH}^-(\text{aq})$ .

(i) Complete the ionic equation for the reaction at the negative electrode (cathode).



(ii) Complete the ionic equation for the reaction at the positive electrode (anode).



(iii) Explain why the solution changes from sodium chloride to sodium hydroxide.

..... [1]

(b) (i) Why does the water supply industry use chlorine?

..... [1]

(ii) Name an important chemical that is made from hydrogen.

..... [1]

(iii) Sodium hydroxide reacts with fats to make soap and glycerine  
What type of compound are fats?

..... [1]

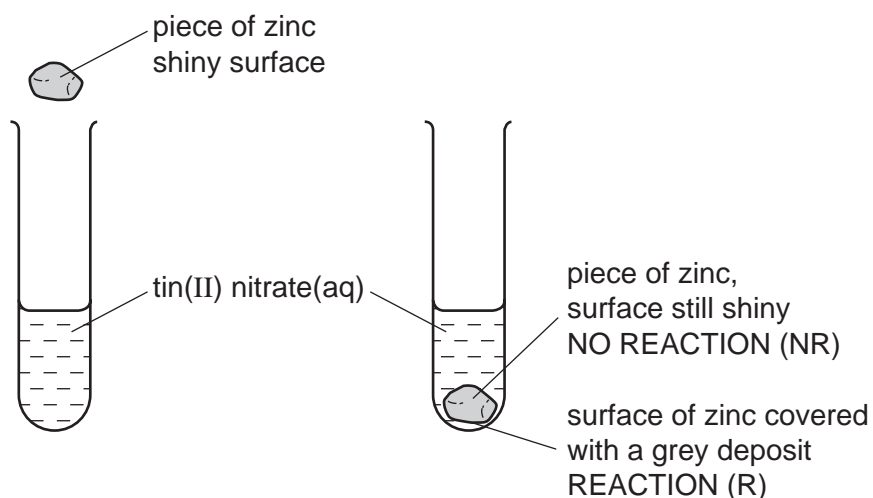
What type of the reaction is this?

..... [1]

[Total : 7]

6 The reactivity series lists metals in order of reactivity.

- (a) To find out which is the more reactive metal, zinc or tin, the following experiment could be carried out.



This experiment could be carried out with other metals and the results recorded in a table. Then the order of reactivity can be deduced.

- (i) The order was found to be:
- |           |                |
|-----------|----------------|
| manganese | most reactive  |
| zinc      |                |
| tin       |                |
| silver    | least reactive |

Complete the table of results from which this order was determined.

aqueous solution	tin Sn	manganese Mn	silver Ag	zinc Zn
tin(II) nitrate		R	NR	R
manganese(II) nitrate				
silver(I) nitrate				
zinc nitrate				

[3]

- (ii) Write the equation for the reaction between zinc and silver(I) nitrate.

.....

[2]

- (iii) The following is a redox reaction.



Indicate on the equation which reagent is the oxidant or oxidizing agent.  
Give a reason for your choice.

..... [2]

- (iv) Explain why experiments of this type cannot be used to find the position of aluminium in the reactivity series.

.....  
..... [2]

- (b) Potassium and calcium are very reactive metals at the top of the series. Because their ions have different charges,  $\text{K}^+$  and  $\text{Ca}^{2+}$ , their compounds behave differently when heated.

- (i) Explain why the ions have different charges.

.....  
..... [2]

- (ii) Their hydroxides are heated.  
If the compound decomposes, complete the word equation.  
If it does not decompose, write "no reaction".

Potassium hydroxide  $\longrightarrow$  .....

Calcium hydroxide  $\longrightarrow$  ..... [2]

- (iii) Complete the equations for the decomposition of their nitrates.

$2\text{KNO}_3 \longrightarrow$  ..... + .....

$2\text{Ca}(\text{NO}_3)_2 \longrightarrow$  ..... + ..... + ..... [4]

[Total: 17]

- 7 The alkanes are generally unreactive. Their reactions include combustion, substitution and cracking.

For  
Examiner's  
Use

(a) The complete combustion of an alkane gives carbon dioxide and water.

- (i) 20 cm<sup>3</sup> of butane is mixed with 150 cm<sup>3</sup> of oxygen, which is an excess. The mixture is ignited. What is the volume of unreacted oxygen left and what is the volume of carbon dioxide formed?



Volume of oxygen left = ..... cm<sup>3</sup>

Volume of carbon dioxide formed = ..... cm<sup>3</sup> [2]

- (ii) Why is the incomplete combustion of any alkane dangerous, particularly in an enclosed space?

.....  
..... [2]

(b) The equation for a substitution reaction of butane is given below.



- (i) Name the organic product.

..... [1]

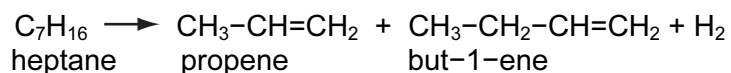
- (ii) This reaction does not need increased temperature or pressure. What is the essential reaction condition?

..... [1]

- (iii) Write a different equation for a substitution reaction between butane and chlorine.

..... [1]

- (c) Alkenes are more reactive and industrially more useful than alkanes. They are made by cracking alkanes.



- (i) Draw the structural formula of the polymer poly(propene).

[2]

- (ii) Give the structural formula and name of the alcohol formed when propene reacts with steam.

name .....

[1]

structural formula

[1]

- (iii) Deduce the structural formula of the product formed when but-1-ene reacts with hydrogen chloride.

[1]

[Total: 12]

For  
Examiner's  
Use



**DATA SHEET**  
**The Periodic Table of the Elements**

		Group															
I	II	III	IV	V	VI	VII	0										
		1 <b>H</b> Hydrogen 1					4 <b>He</b> Helium 2										
7 <b>Li</b> Lithium 3	9 <b>Be</b> Beryllium 4							20 <b>Ne</b> Neon 10									
23 <b>Na</b> Sodium 11	24 <b>Mg</b> Magnesium 12	27 <b>Al</b> Aluminium 13	28 <b>Si</b> Silicon 14	31 <b>P</b> Phosphorus 15	32 <b>S</b> Sulphur 16	35.5 <b>Cl</b> Chlorine 17	40 <b>Ar</b> Argon 18										
39 <b>K</b> Potassium 19	40 <b>Ca</b> Calcium 20	70 <b>Ga</b> Gallium 31	73 <b>Ge</b> Germanium 32	75 <b>As</b> Arsenic 33	79 <b>Se</b> Selenium 34	80 <b>Br</b> Bromine 35	84 <b>Kr</b> Krypton 36										
85 <b>Rb</b> Rubidium 37	88 <b>Sr</b> Strontium 38	101 <b>Ru</b> Ruthenium 44	106 <b>Pd</b> Palladium 46	112 <b>Cd</b> Cadmium 48	115 <b>In</b> Indium 49	122 <b>Sb</b> Antimony 51	131 <b>Xe</b> Xenon 54										
133 <b>Cs</b> Caesium 55	137 <b>Ba</b> Barium 56	190 <b>Os</b> Osmium 76	195 <b>Pt</b> Platinum 78	201 <b>Hg</b> Mercury 80	204 <b>Tl</b> Thallium 81	207 <b>Pb</b> Lead 82	209 <b>Bi</b> Bismuth 83	210 <b>Po</b> Polonium 84	210 <b>At</b> Astatine 85	210 <b>Rn</b> Radon 86							
226 <b>Ra</b> Radium 88	227 <b>Ac</b> Actinium 89																
*58-71 Lanthanoid series																	
†90-103 Actinoid series																	
<table style="width: 100%; border-collapse: collapse;"> <tr> <td style="width: 10%; text-align: center;">a</td> <td style="width: 10%; text-align: center;"><b>X</b></td> <td style="width: 10%; text-align: center;">b</td> <td style="width: 10%; text-align: center;">a = relative atomic mass</td> <td style="width: 10%; text-align: center;">X = atomic symbol</td> <td style="width: 10%; text-align: center;">b = proton (atomic) number</td> </tr> </table>												a	<b>X</b>	b	a = relative atomic mass	X = atomic symbol	b = proton (atomic) number
a	<b>X</b>	b	a = relative atomic mass	X = atomic symbol	b = proton (atomic) number												
140 <b>Ce</b> Cerium 58	141 <b>Pr</b> Praseodymium 59	144 <b>Nd</b> Neodymium 60	150 <b>Sm</b> Samarium 62	152 <b>Eu</b> Europium 63	157 <b>Gd</b> Gadolinium 64	162 <b>Dy</b> Dysprosium 66	165 <b>Ho</b> Holmium 67	167 <b>Er</b> Erbium 68	169 <b>Tm</b> Thulium 69	173 <b>Yb</b> Ytterbium 70	175 <b>Lu</b> Lutetium 71						
232 <b>Th</b> Thorium 90	238 <b>Pa</b> Protactinium 91	238 <b>U</b> Uranium 92	238 <b>Pu</b> Plutonium 94	238 <b>Am</b> Americium 95	238 <b>Cm</b> Curium 96	238 <b>Bk</b> Berkelium 97	238 <b>Cf</b> Californium 98	238 <b>Fm</b> Fermium 100	238 <b>Md</b> Mendelevium 101	238 <b>No</b> Nobelium 102	238 <b>Lr</b> Lawrencium 103						

The volume of one mole of any gas is 24 dm<sup>3</sup> at room temperature and pressure (r.t.p.).

Permission to reproduce items where third-party owned material protected by copyright is included has been sought and cleared where possible. Every reasonable effort has been made by the publisher (UCLES) to trace copyright holders, but if any items requiring clearance have unwittingly been included, the publisher will be pleased to make amends at the earliest possible opportunity.

University of Cambridge International Examinations is part of the Cambridge Assessment Group. Cambridge Assessment is the brand name of University of Cambridge Local Examinations Syndicate (UCLES), which is itself a department of the University of Cambridge.